

# KGTW1-33

## 33 Inch Workstation Single Bowl Granite Top Mount Kitchen Sink

### Sink Dimensions

Overall Dimensions: 33" x 22"  
Bowl Dimensions: 30" x 16"  
Sink Depth: 9 5/8"

### Features

- Granite Composite Construction
- Top Mount Single Bowl Sink
- Required Minimum Cabinet Size: 36" Left to Right, 24" Front to Back
- Rear Off-Set Drain
- 3 1/2" Drain Opening

### Accessories Included

- Cutting Board KCB-WS303SA
- Sink Strainer ST-4
- Rolling Mat KRM-11BL

### Available Colors

- White

### CODES/STANDARDS:

Product Certification  
cUPC



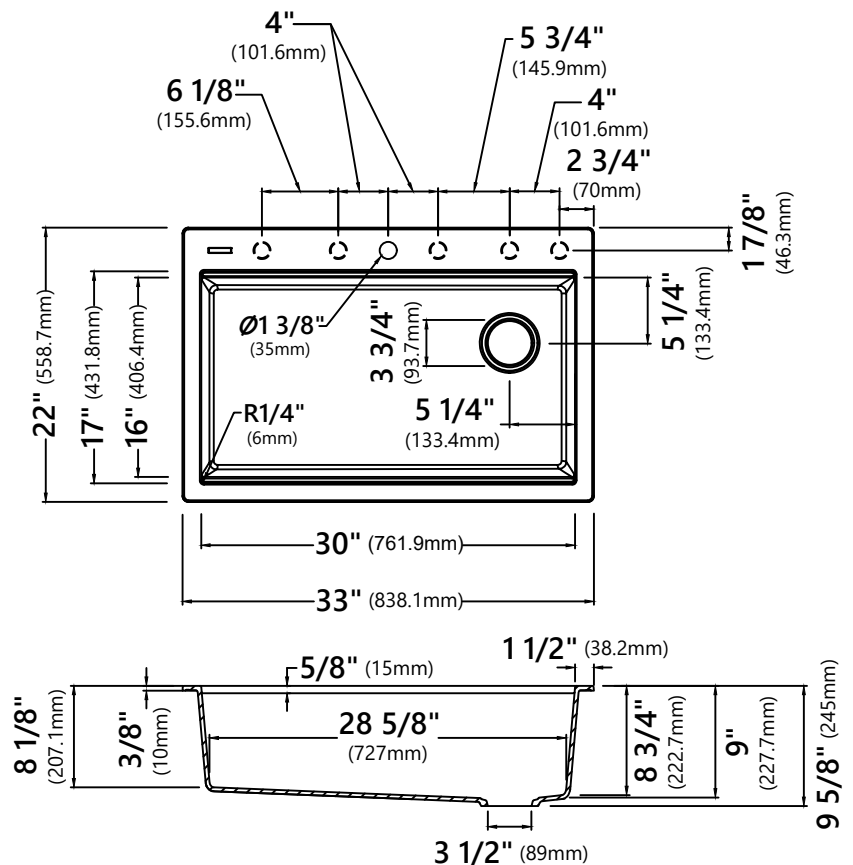
**NOTE:** 1 3/8" (35mm) diameter faucet holes are pre-scored. The installer can knock out up to 6 faucet holes.

**NOTE:** Although Kraus granite and quartz composite sinks are highly heat resistant, placing hot items right from the stove or oven directly into the sink may cause surface discoloration. Consider using a trivet or rolling mat for extremely hot items to avoid potential heat damage.

**NOTE:** It is not recommended to install this sink with a negative reveal. Doing so will prohibit the use of any workstation accessories as they will not fit.

### Warranty

Kraus Limited Lifetime Warranty  
see website for details [www.kraususa.com](http://www.kraususa.com)



## KWD100-75

### Garbage Disposal

#### Garbage Disposal Dimensions

Overall Dimensions: 7 1/2" x 10 1/4" x 15 1/4"

#### Features

- 3/4 Horsepower
- 3800RPM Motor Speed
- Permanent Magnet Motor Type
- 40.6 oz. Grind Chamber Capacity
- Stainless Steel Jam Resistant Grinding System
- Continuous Feed
- Sound Insulated
- Splash Guard
- Sink Stopper
- Anti-Vibration Mount
- Easy Mount System
- Manual Reset Overload
- Connection to Dishwasher
- 1 1/2" Drain Connection

#### Specifications

- Voltage 110V 60Hz
- Amperage 5A
- On/Off Control Wall Switch

#### Available Colors

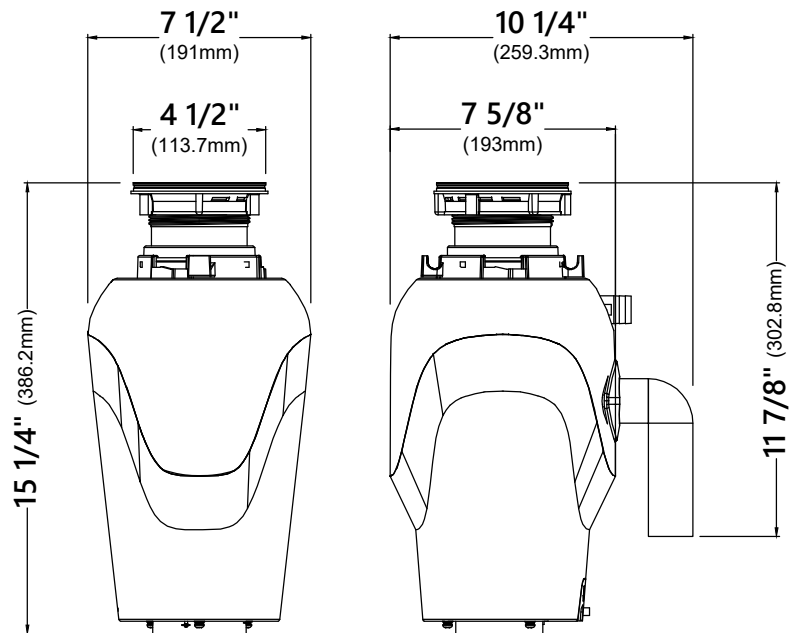
- Black
- White

#### CODES/STANDARDS:

**Product Certification**  
cUPC, ETL and ISTA certified

#### Warranty

Kraus Limited 5 Year Warranty  
see website for details [www.kraususa.com](http://www.kraususa.com)



## ST-4

### Stainless Steel Kitchen Sink Strainer

#### Strainer Dimensions

Overall Dimensions:  $\phi 1\frac{1}{2}$ " x  $2\frac{5}{8}$ "

#### Features

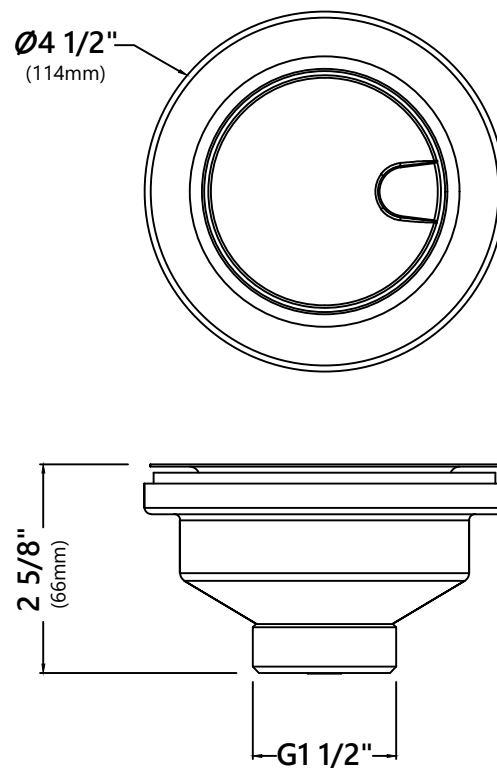
- Premium Stainless Steel construction
- Fits Standard  $3\frac{1}{2}$ " or 4" Drain Opening
- Removable Strainer Prevents Debris from Clogging Drain Pipe
- Tailpiece Included
- Decorative Stainless Steel Cover Fits Over Drain



#### Warranty

Kraus 1 Year Limited Warranty

see website for details [www.kraususa.com](http://www.kraususa.com)



## KCB-WS303

### Cutting Board

#### Cutting Board Dimensions

Overall Dimensions: 16 3/4" x 11" x 1/4"

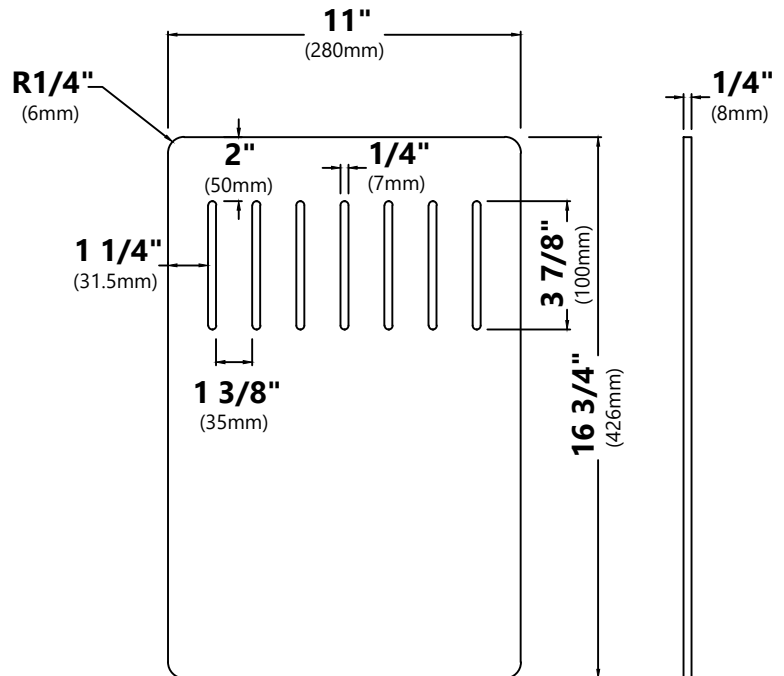
#### Features

- Designed to Use Over the Sink and On the Counter
- BPA-free and FDA-approved
- Included with KGTW1-33, KGTW2-33 and KGTW12-33 kitchen sinks



#### Warranty

Kraus One Year Limited Warranty  
see website for details [www.kraususa.com](http://www.kraususa.com)



## KRM-11

### Multipurpose Roll-Up Dish Drying Rack

#### Rolling Mat Dimensions

Overall Dimensions: 16 7/8" x 12" x 3/8"

#### Features

- Roll-up over-the-sink drying rack
- Stainless steel construction with non-slip silicone coating
- Rolls up into a compact cylinder for storage
- Dishwasher safe
- Heat-safe up to 400° F
- Holds up to 85 lbs
- BPA-free and FDA-approved
- For Use with KFR4-33, KGF1-30, KGF1-33, KGF2-30, KGF2-33, KWF210-30, KWF210-33, KWF210-36, KWF410-30, KWF410-33, KWF410-36, KWT310-30, KWT310-33, KWT311-25, KWU110-27, KWU110-30, KWU110-32, KWU111-17, KWU111-23, KWU112-33, KWU120-45 and KWU210-57 kitchen sinks

#### Available Colors

- Black
- Brown
- Dark Blue
- Dark Grey
- Light Grey
- Aqua
- Green
- Red
- Yellow

#### Warranty

Kraus One Year Limited Warranty  
see website for details [www.kraususa.com](http://www.kraususa.com)

